



COMMERCIAL VEHICLE AUCTIONS LTD
THE UK'S MOST ESTABLISHED COMMERCIAL VEHICLE AUCTIONEERS

Carr Hill Industrial Estate
Doncaster
DN4 8DE

01302 732600 | cva.noreply@cva-auctions.co.uk

VEHICLE INSPECTION REPORT

MK68NHM

MAN TGL 12.250

Inspection		Vehicle	
Serious Damage?	No	VAT	Plus VAT
		V5	To Follow

Details			
Reg. date	01/11/2018	Colour	WHITE
Year	2018	VIN	WMAN14ZZ3KY384276
Mileage	1,014,711 Km Not Warranted	Body Style	Box Van
Fuel Type	Diesel	Cab Type	LX CAB
GVW	12000kg	Gearbox	AUTOMATIC
		Axle Combi	4x2
		Rear Suspension	Air
		Rear Doors	Roller

WARNING LIGHT ON DASH SURROUND CAMERA SYSTEM

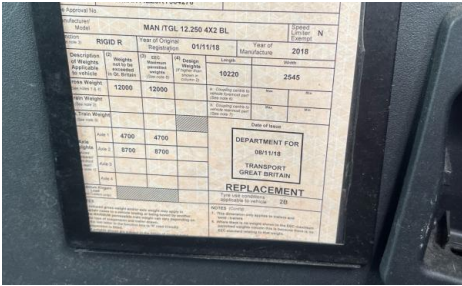
Tyres				
NSF	NSI1	NSI2	NSI3	NSI4
OSF	OSI1	OSI2	OSI3	OSI4
Spare	NSO1	NSO2	NSO3	NSO4
	OSO1	OSO2	OSO3	OSO4

Features

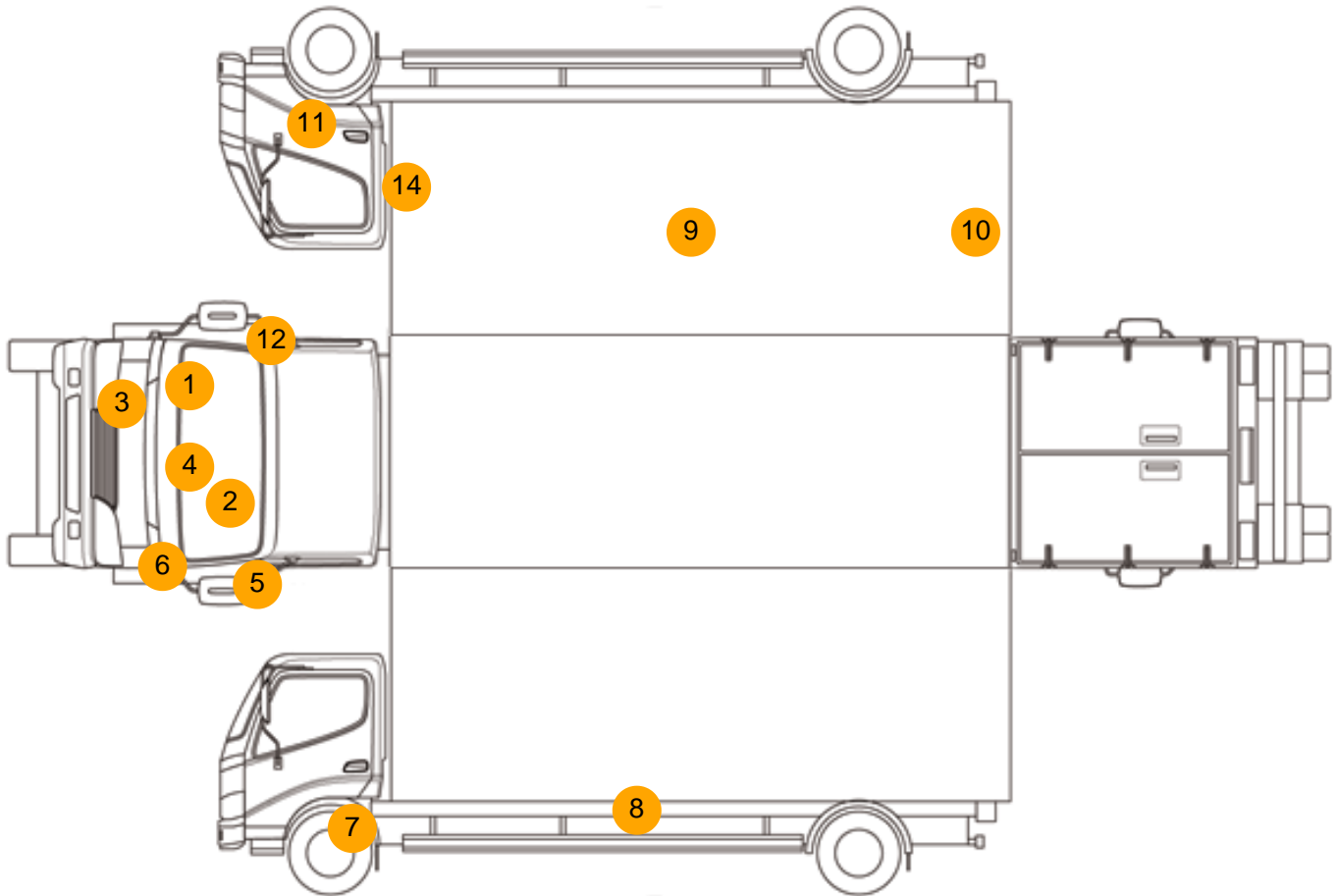
- Navigation system
- Park assist camera
- Air conditioning

Photos





Condition Check



Damage Photos



1: Wing osf
Cracked
Replace



2: Screen Front
Chipped
UpTo 10mm



3: Bumper Front Moulding
Broken
Replace

4: Bonnet
Chipped
Multiple Chips



5: Door Mirror Assy nsf
Broken
Replace

6: Wing nsf
Scratched
Over 25mm Thru Paint



7: Wing Front Arch Extension ns
Scuffed (Unpainted)
UpTo 100mm

8: Qtr Panel nsr
Scratched
Over 25mm Thru Paint



9: Qtr Panel osr
Scratched
Over 25mm Not Thru Paint

10: Qtr Panel osr
Scratched
Over 25mm Thru Paint



11: Wing Front Arch Extension os
Broken
Replace

12: Door Mirror Assy osf
Scuffed (Unpainted)
Over 100mm



13: Door Pad osf
Broken
Replace

14: Door osf
Chipped
Edge Chip

Interior

Carpet Condition	Average	Upholstery Condition	Average
Seat Condition	Average	Odour	-
Engine Runs	OK	Gearbox 1st and Reverse Test	OK
Brakes	OK	Clutch Slip Test from Static	OK
Parking Brake	OK	Gearbox Static Gear Selection (engine running)	OK
		No Excessive Smoking	OK
EML light illuminated	OK	Oil warning light illuminated	OK
Airbag light illuminated	OK	DPF light illuminated	OK
ABS light illuminated	OK	Service indicator light illuminated	Fault